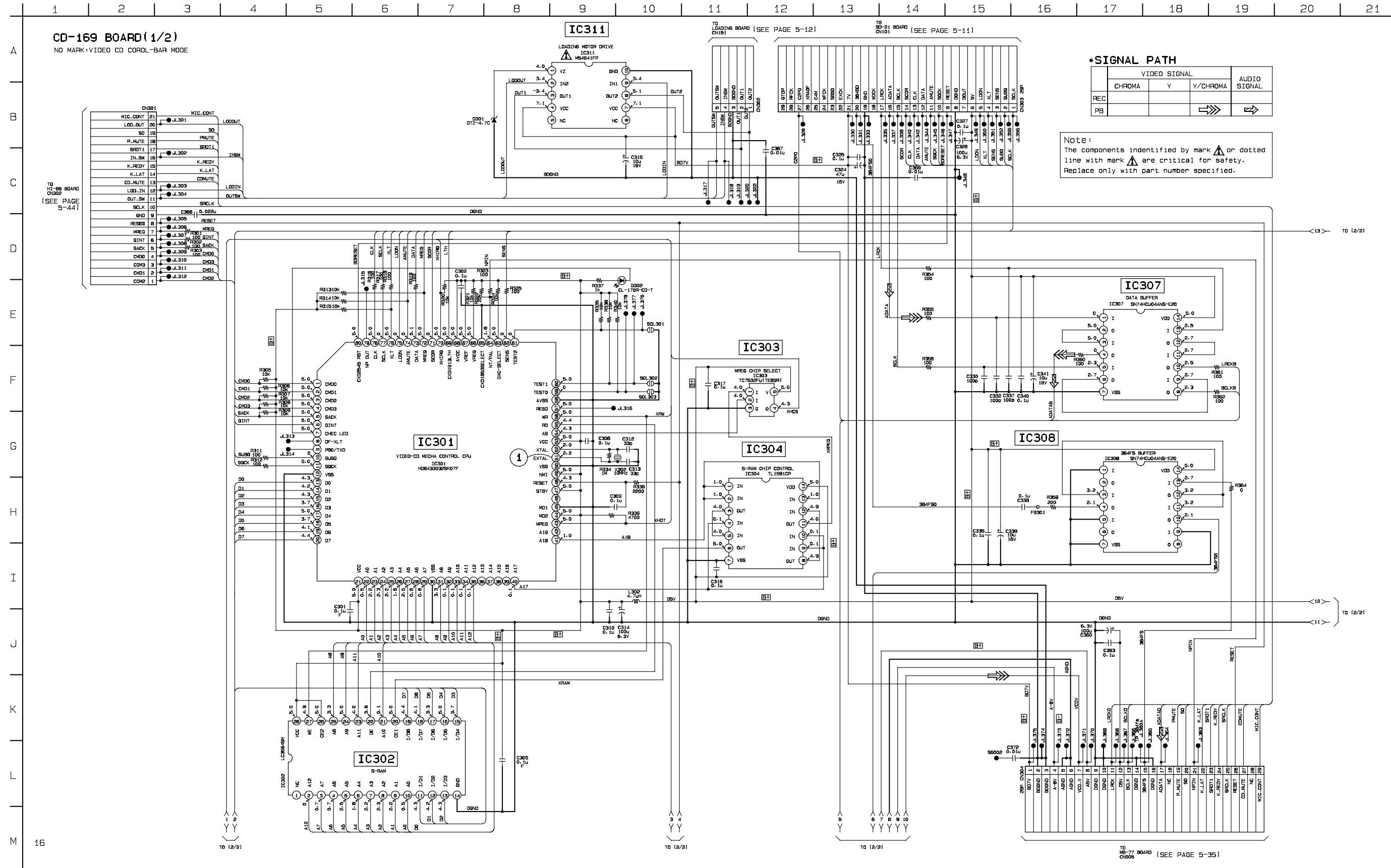


CD-169 (VIDEO-CD MECHA CONTROL) SCHEMATIC DIAGRAM (1/2)

• See page 5-9 for printed wiring board. • See page 5-63 for waveforms.

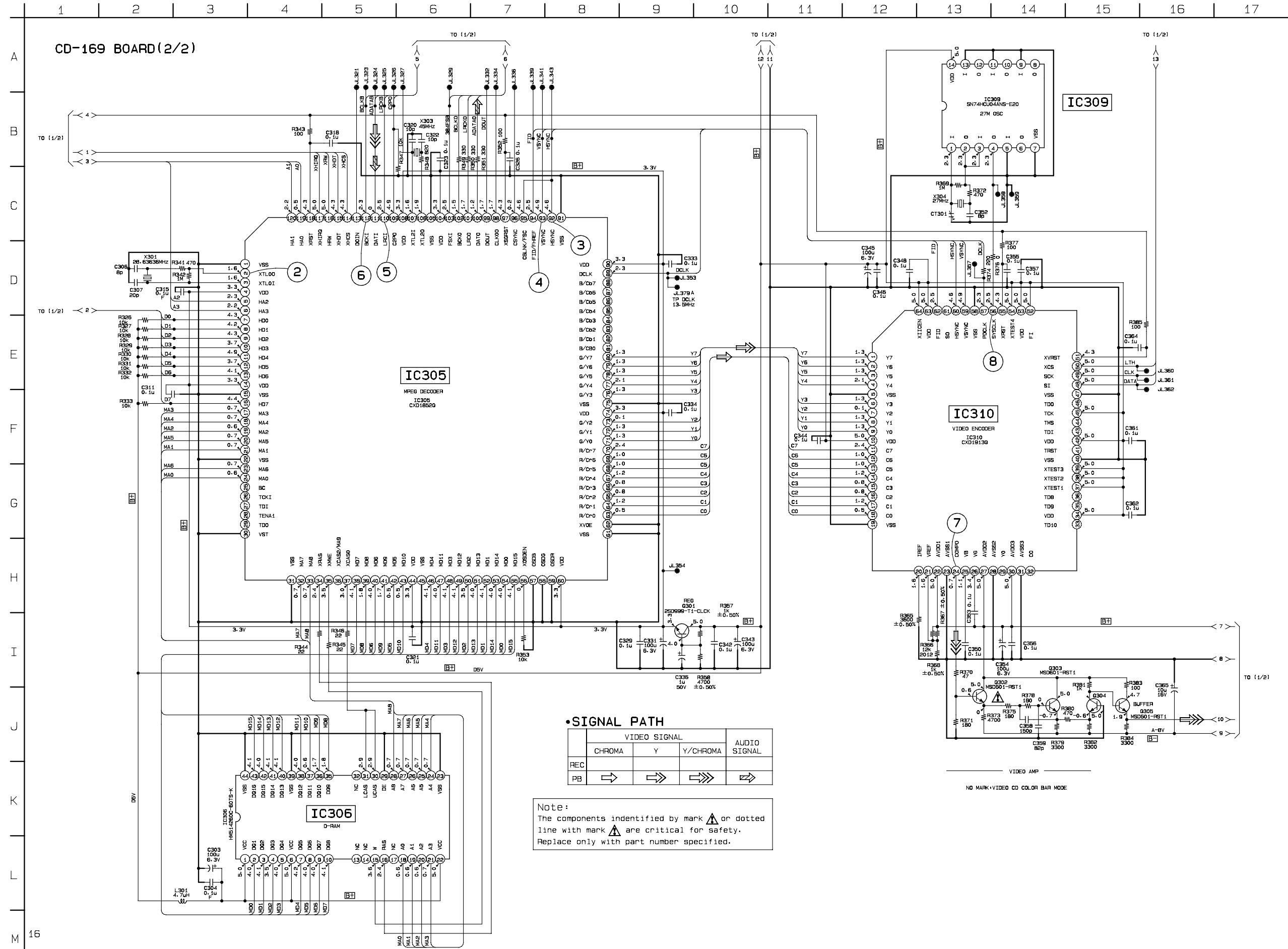
— Ref. No. CD-169 Board; 3,000 Series —



CD-169 (VIDEO ENCODER) SCHEMATIC DIAGRAM (2/2)

• See page 5-63 for waveforms.

— Ref. No. CD-169 Board; 3,000 Series —

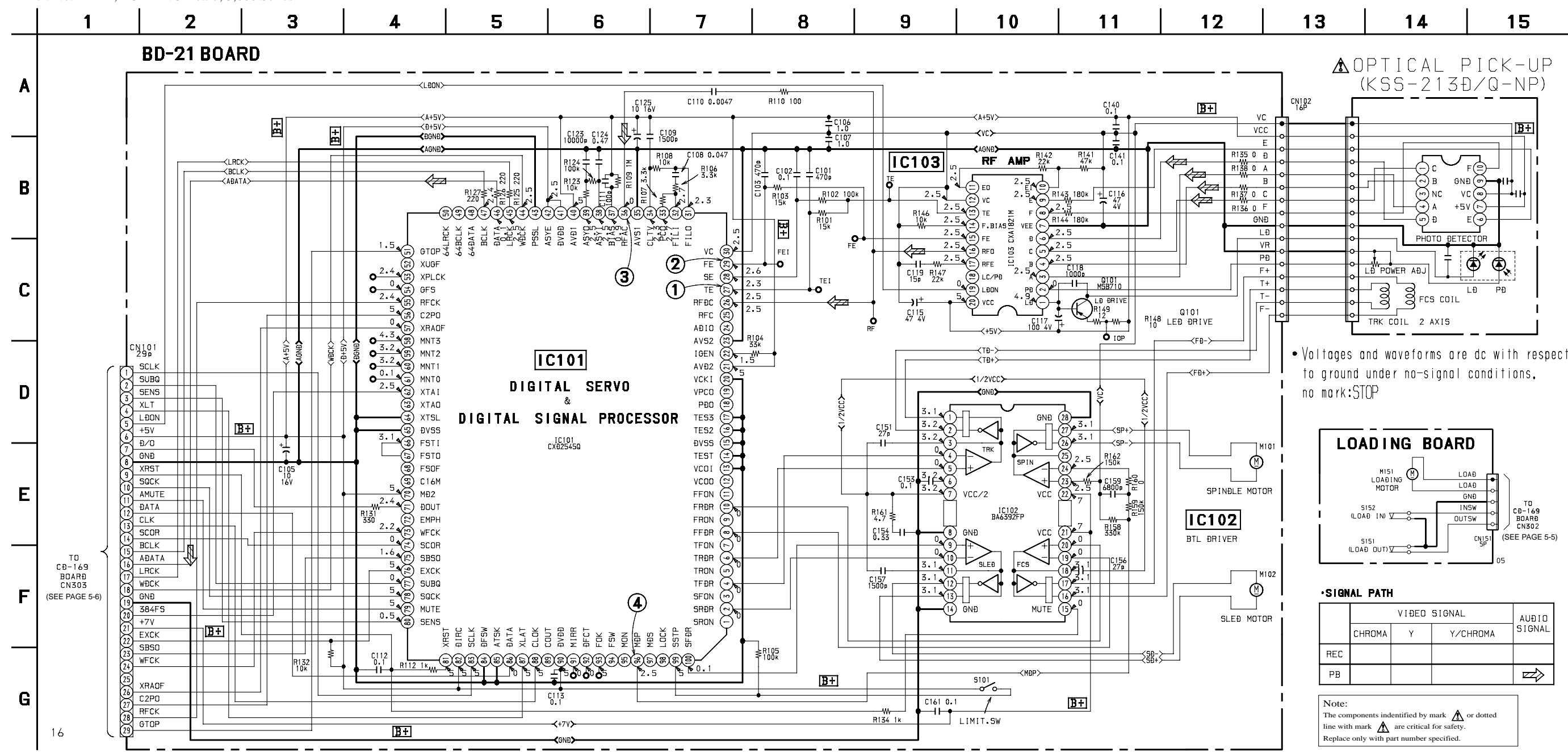


• SIGNAL PATH

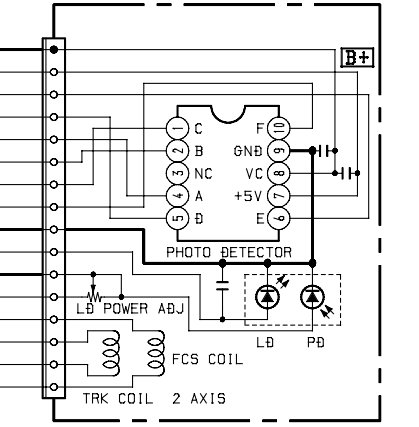
	VIDEO SIGNAL			AUDIO SIGNAL
	CHROMA	Y	Y/CHROMA	
REC	→	→	→	→
PB	→	→	→	→

Note:  
The components identified by mark or dotted line with mark are critical for safety.  
Replace only with part number specified.

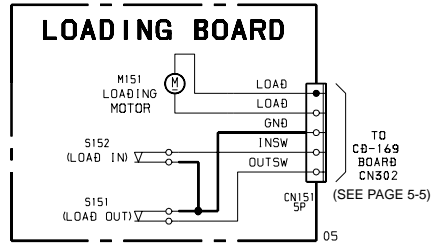
BD-21 (RF AMP) , LOADING (LOADING MOTOR) SCHEMATIC DIAGRAM • See page 5-63 for waveforms.  
 — Ref. No. BD-21, LOADING Board; 3,000 Series —



OPTICAL PICK-UP (KSS-213D/Q-NP)



• Voltages and waveforms are dc with respect to ground under no-signal conditions, no mark:STOP



• SIGNAL PATH

	VIDEO SIGNAL			AUDIO SIGNAL
	CHROMA	Y	Y/CHROMA	
REC				
PB				→

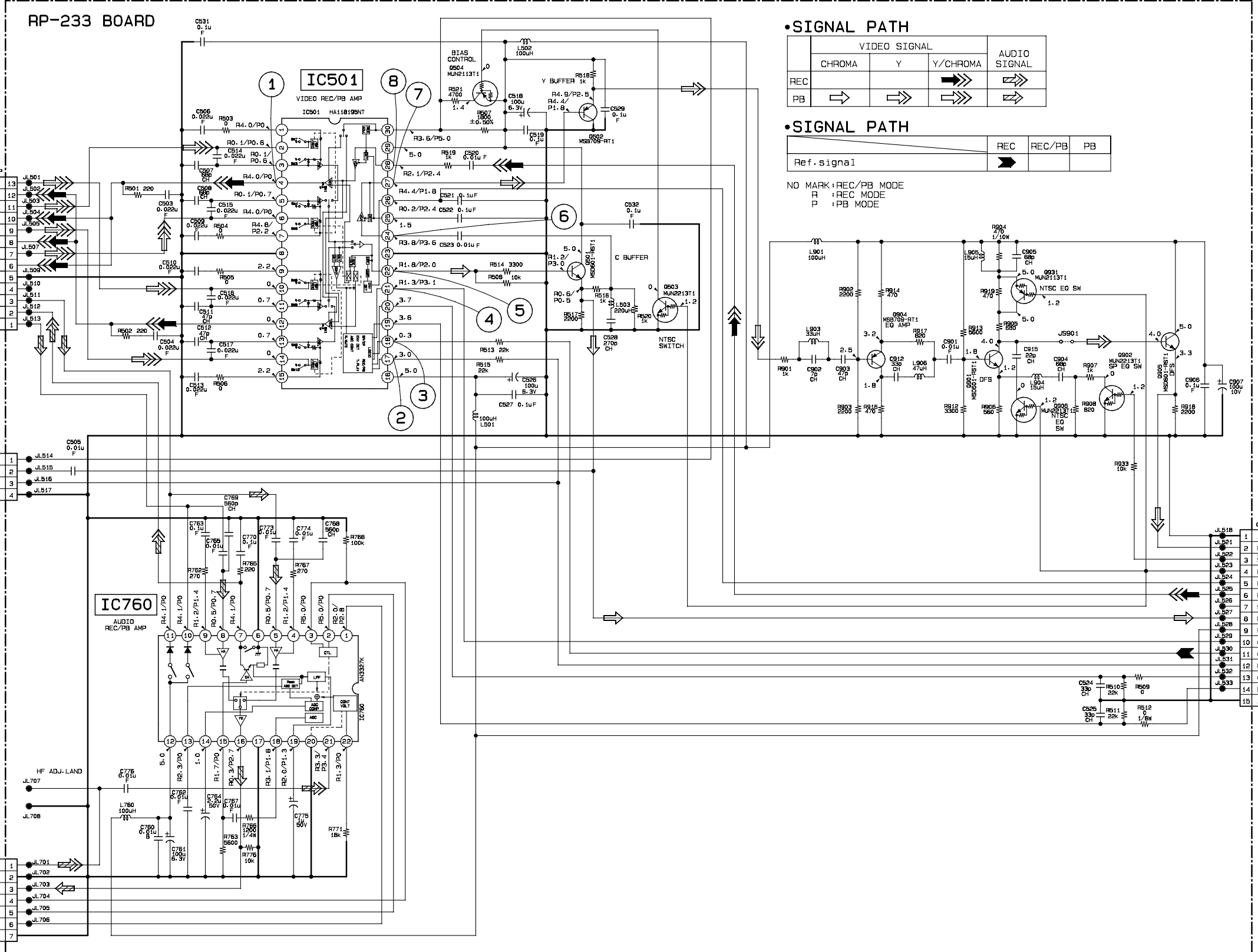
Note:  
 The components identified by mark or dotted line with mark are critical for safety.  
 Replace only with part number specified.

RP-233 (HEAD AMP) SCHEMATIC DIAGRAM  
 — Ref. No. RP-233 Board; 2,000 Series —

• See page 5-63 for waveforms.

1 2 3 4 5 6 7 8 9 10 11 12 13 14 15 16 17

A  
B  
C  
D  
E  
F  
G  
H  
I  
J  
K



• SIGNAL PATH

	VIDEO SIGNAL			AUDIO SIGNAL
	CHROMA	Y	Y/CHROMA	
REC			➔➔➔	➔➔➔
PB	➔	➔➔	➔➔➔	➔➔➔

• SIGNAL PATH

Ref. signal	REC	REC/PB	PB
	➔	➔➔	➔➔➔

NO MARK : REC/PB MODE  
 R : REC MODE  
 P : PB MODE

CHECK PIN

REC CURR	1	JL514
PB RF	2	JL515
RF SWP	3	JL516
GND	4	JL517

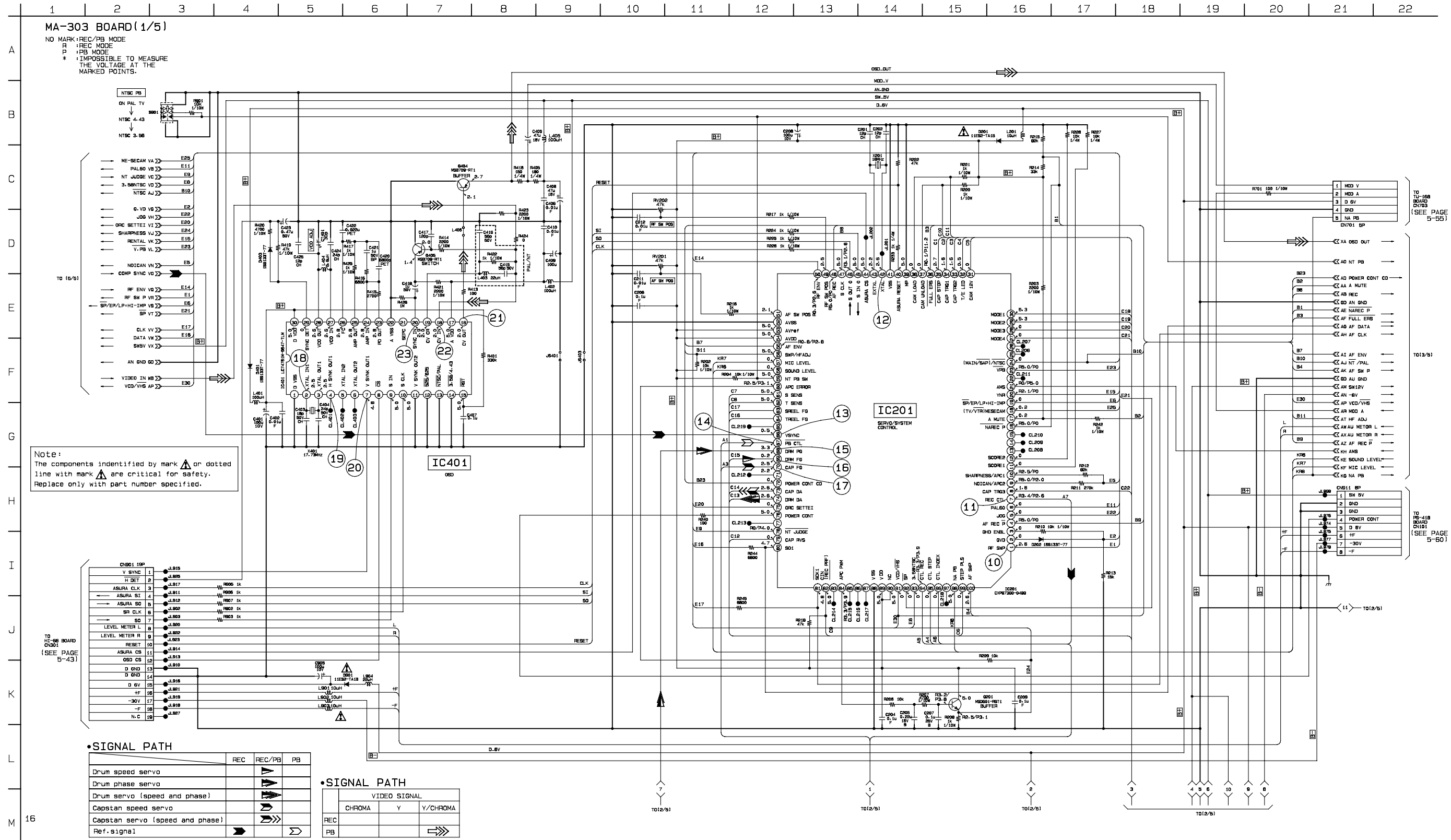
TO MA-303 BOARD CN501 (SEE PAGE 5-28)

TO MA-303 BOARD CN301 (SEE PAGE 5-29)

MA-303 (SERVO/SYSTEM CONTROL) SCHEMATIC DIAGRAM (1/5)

• See page 5-64 for waveforms.

— Ref. No. MA-303 Board; 1,000 Series —

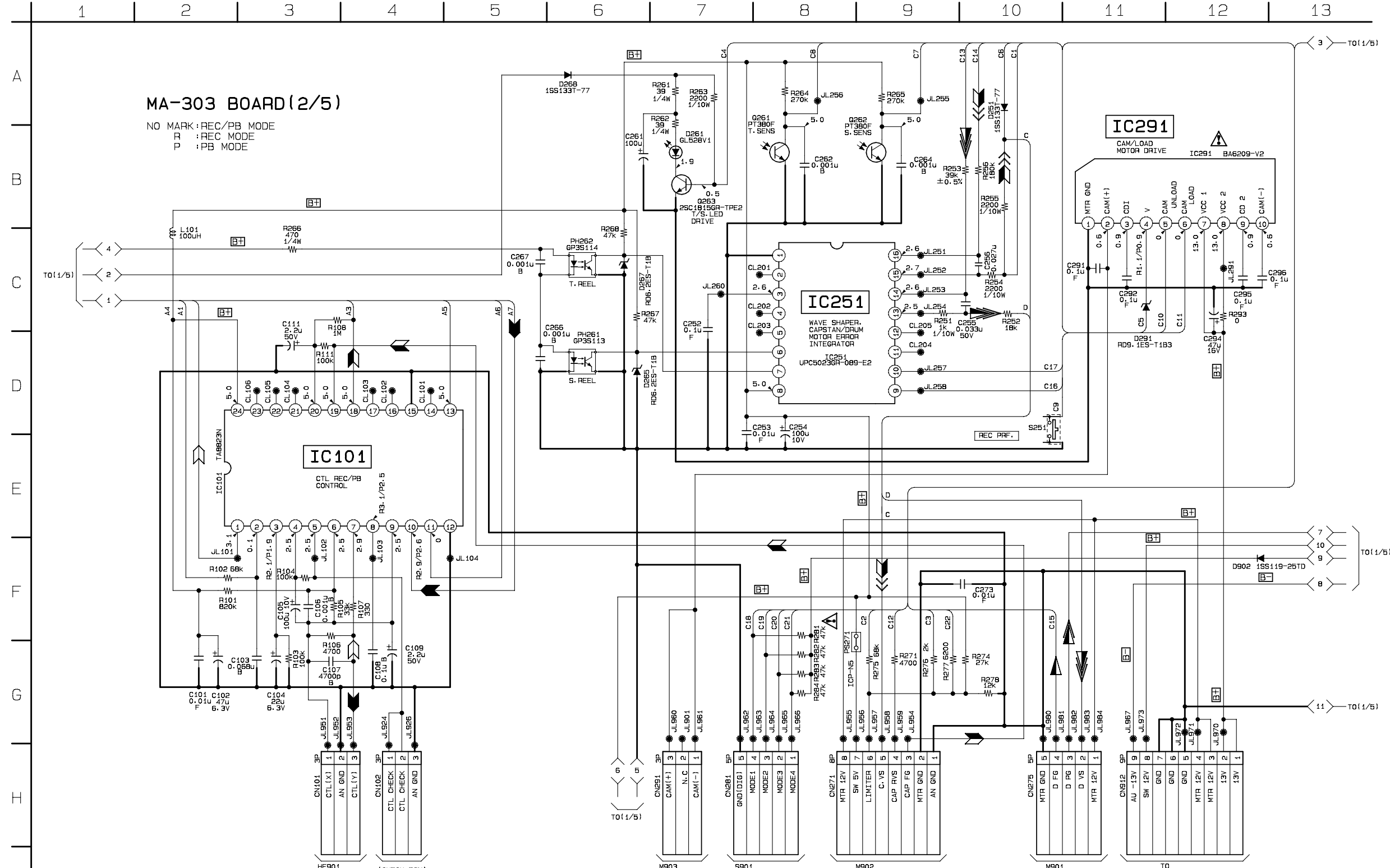




MA-303 (CTL, REC/PB CONTROL) SCHEMATIC DIAGRAM (2/5)

• See page 5-19 for printed wiring board.

— Ref. No. MA-303 Board; 1,000 Series —



MA-303 BOARD (2/5)

NO MARK: REC/PB MODE  
R : REC MODE  
P : PB MODE

•SIGNAL PATH

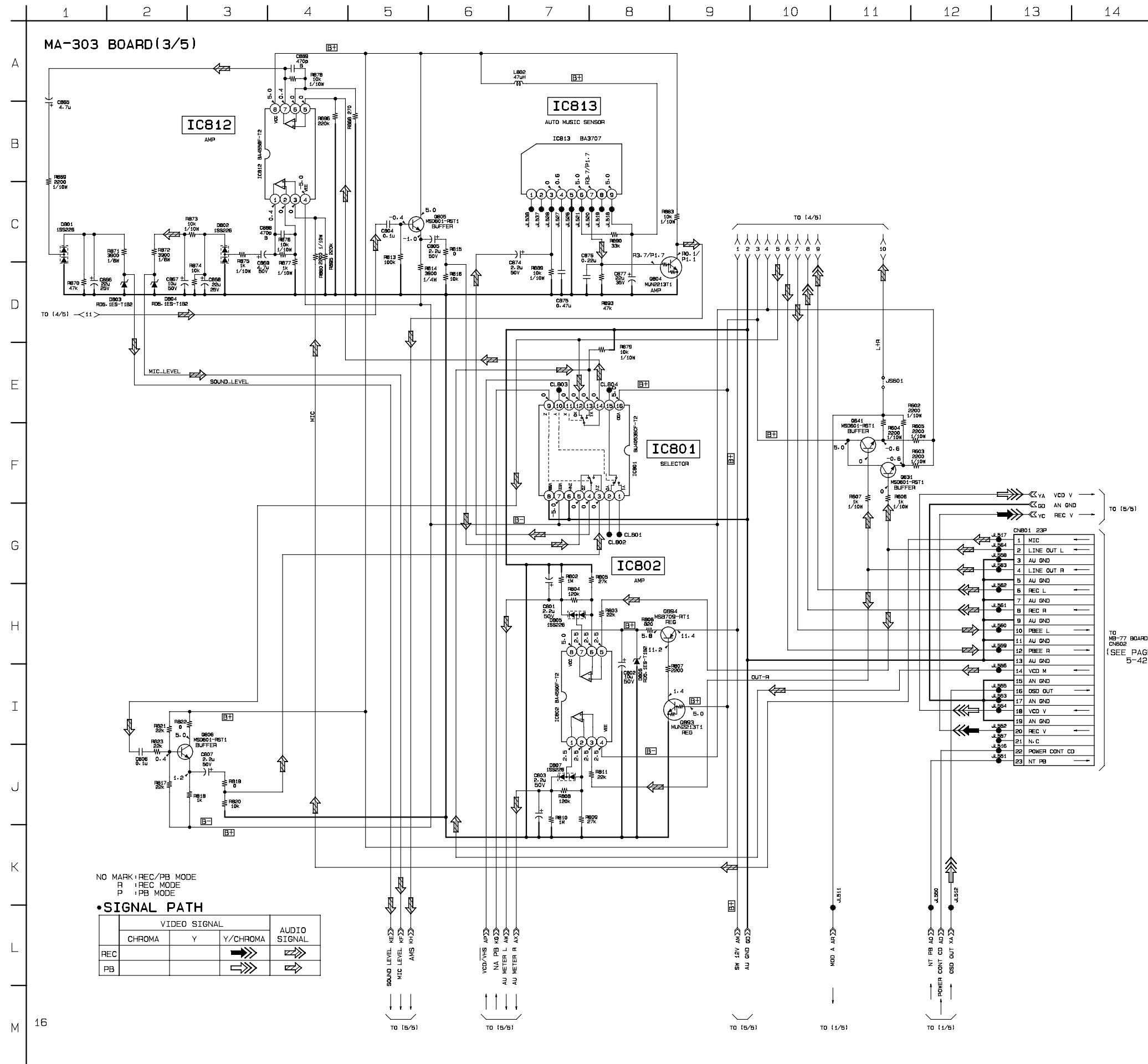
	REC	REC/PB	PB
Drum speed servo		▶▶▶	▶▶▶▶
Drum phase servo		▶▶▶▶	▶▶▶▶▶
Drum servo (speed and phase)		▶▶▶▶▶	▶▶▶▶▶▶
Capstan speed servo		▶▶▶▶▶	▶▶▶▶▶▶
Capstan servo (speed and phase)		▶▶▶▶▶▶	▶▶▶▶▶▶▶
Ref. signal	▶▶▶▶▶▶▶	▶▶▶▶▶▶▶▶	▶▶▶▶▶▶▶▶▶

Note:  
The components identified by mark or dotted line with mark are critical for safety.  
Replace only with part number specified.

MA-303 (SELECTOR) SCHEMATIC DIAGRAM (3/5)

• See page 5-19 for printed wiring board.

— Ref. No. MA-303 Board; 1,000 Series —



MA-303 (AUDIO PROCESSOR) SCHEMATIC DIAGRAM (4/5)  
 — Ref. No. MA-303 Board; 1,000 Series —

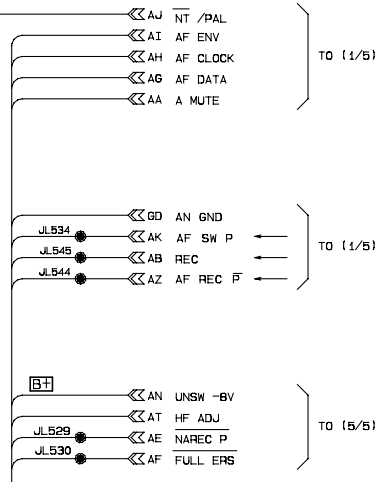
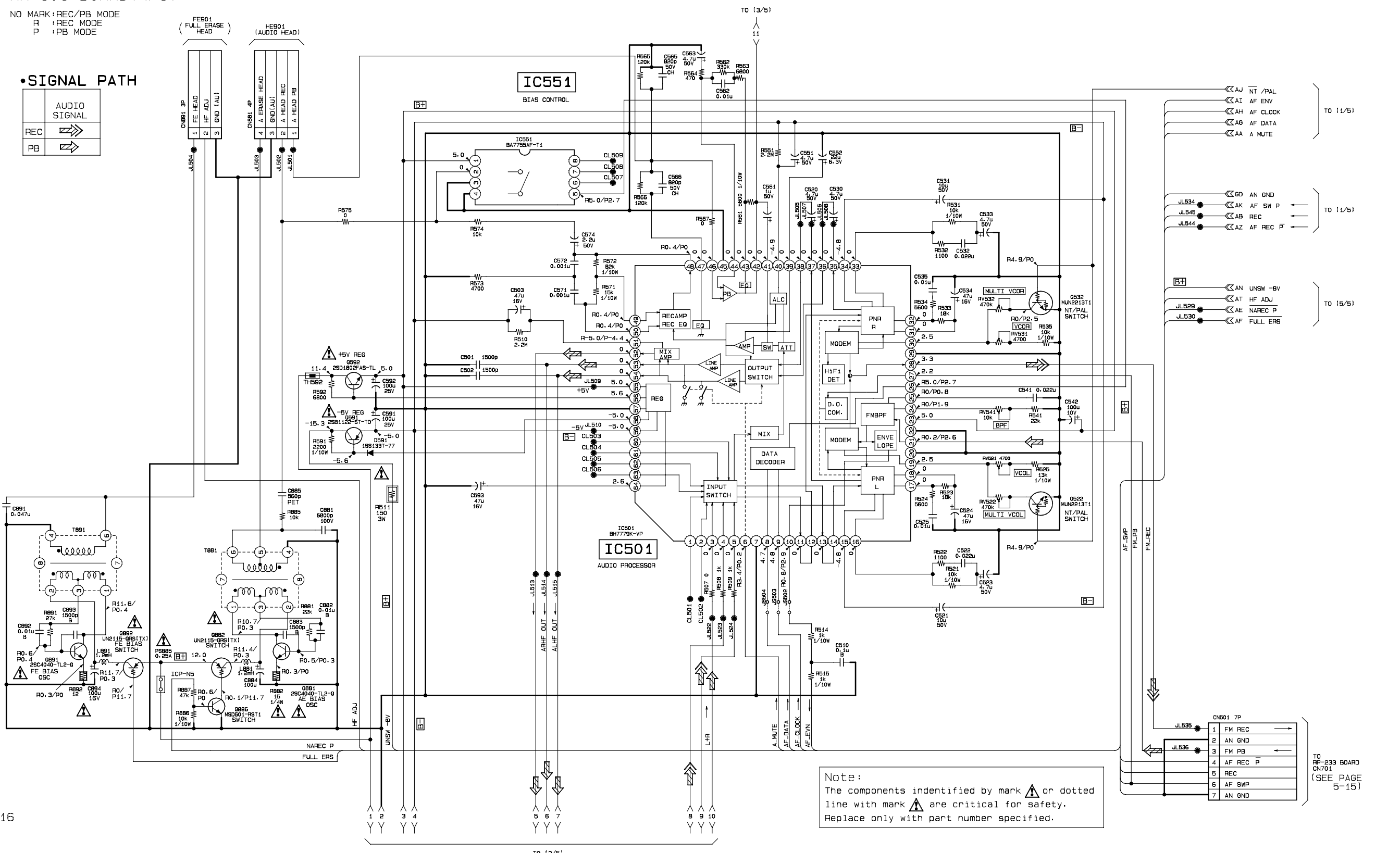
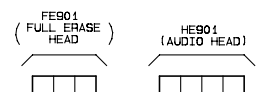
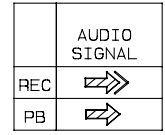
• See page 5-19 for printed wiring board.

1 2 3 4 5 6 7 8 9 10 11 12 13 14 15 16

MA-303 BOARD (4/5)

NO MARK: REC/PB MODE  
 R : REC MODE  
 P : PB MODE

• SIGNAL PATH



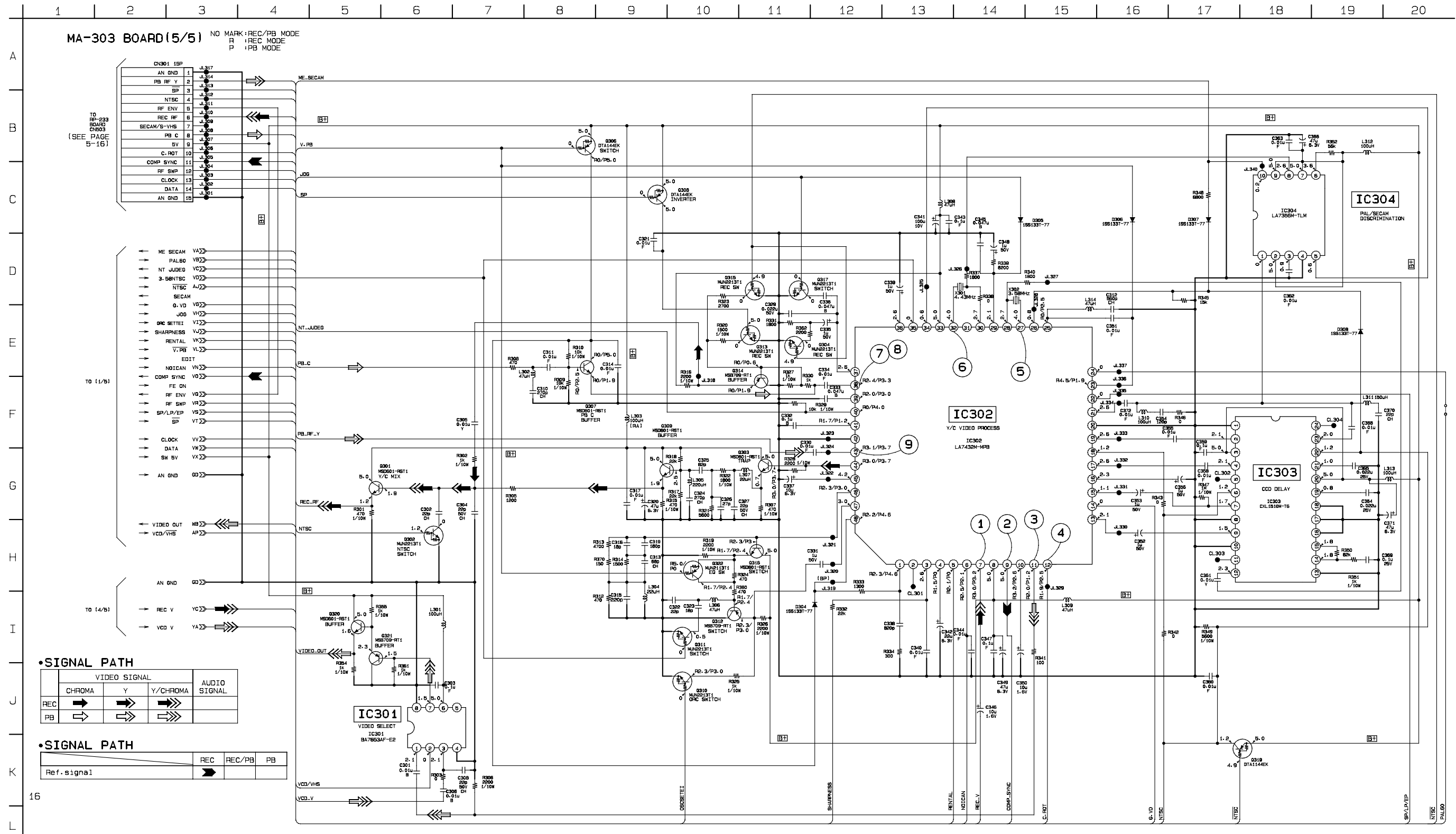
Note:  
 The components identified by mark or dotted line with mark are critical for safety.  
 Replace only with part number specified.



MA-303 (Y/C VIDEO PROCESS) SCHEMATIC DIAGRAM (5/5)

• See page 5-19 for printed wiring board. • See page 5-64 for waveforms.

— Ref. No. MA-303 Board; 1,000 Series —

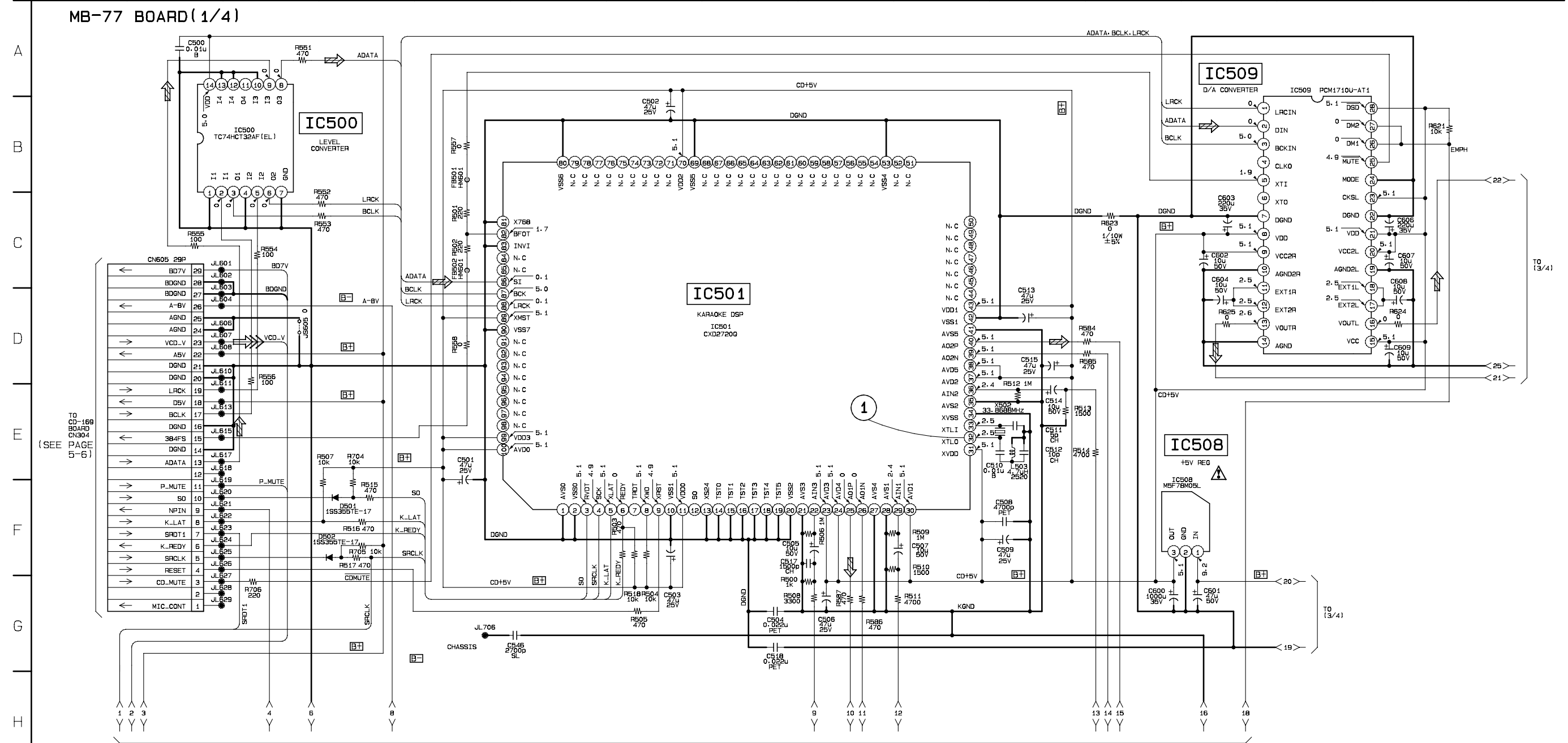


MB-77 (KARAOKE DSP) SCHEMATIC DIAGRAM (1/4)

• See page 5-31 for printed wiring board. • See page 5-63 for waveform.

— Ref. No. MB-77 Board; 5,000 Series —

1 2 3 4 5 6 7 8 9 10 11 12 13 14 15 16



16

Note:  
The components identified by mark or dotted line with mark are critical for safety.  
Replace only with part number specified.

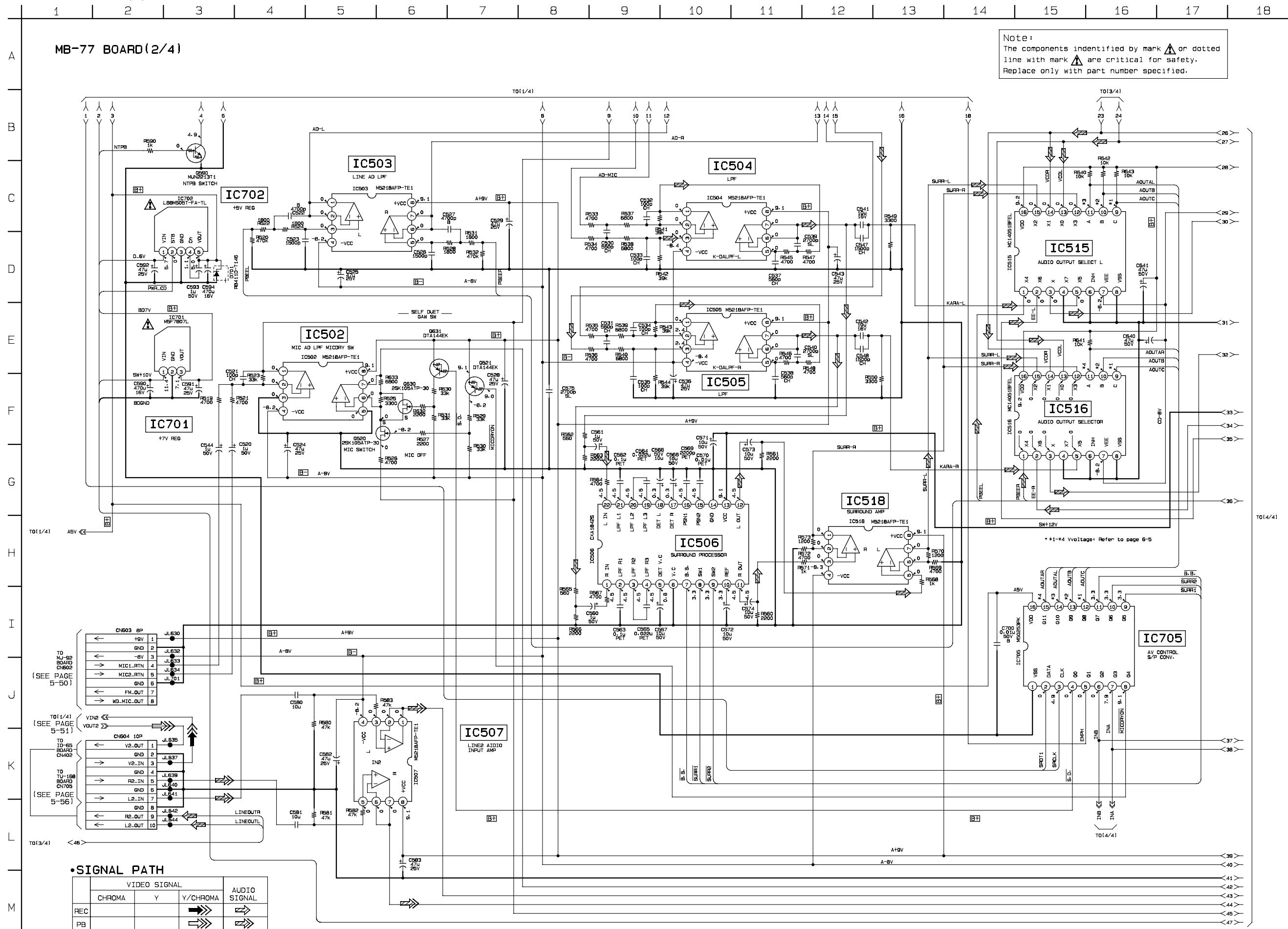
• SIGNAL PATH

	VIDEO SIGNAL			AUDIO SIGNAL
	CHROMA	Y	Y/CHROMA	
REC				
PB				

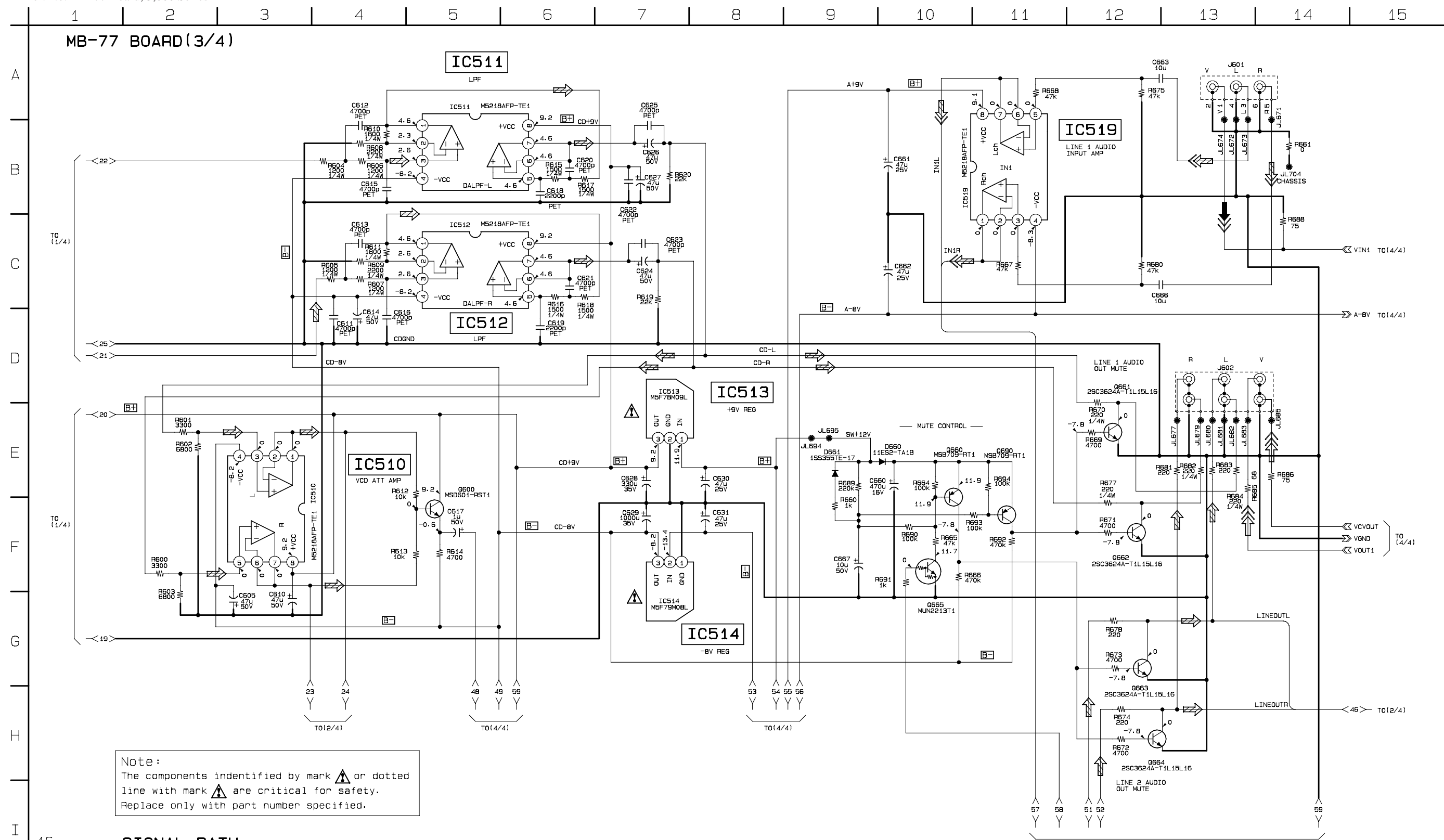
MB-77 (AUDIO IN/OUT) SCHEMATIC DIAGRAM (2/4)

• See page 5-31 for printed wiring board.

— Ref. No. MB-77 Board; 5,000 Series —



**MB-77 (SURROUND PROCESSOR) SCHEMATIC DIAGRAM (3/4)** • See page 5-31 for printed wiring board.  
 — Ref. No. MB-77 Board; 5,000 Series —



Note:  
 The components identified by mark ⚠ or dotted line with mark ⚠ are critical for safety.  
 Replace only with part number specified.

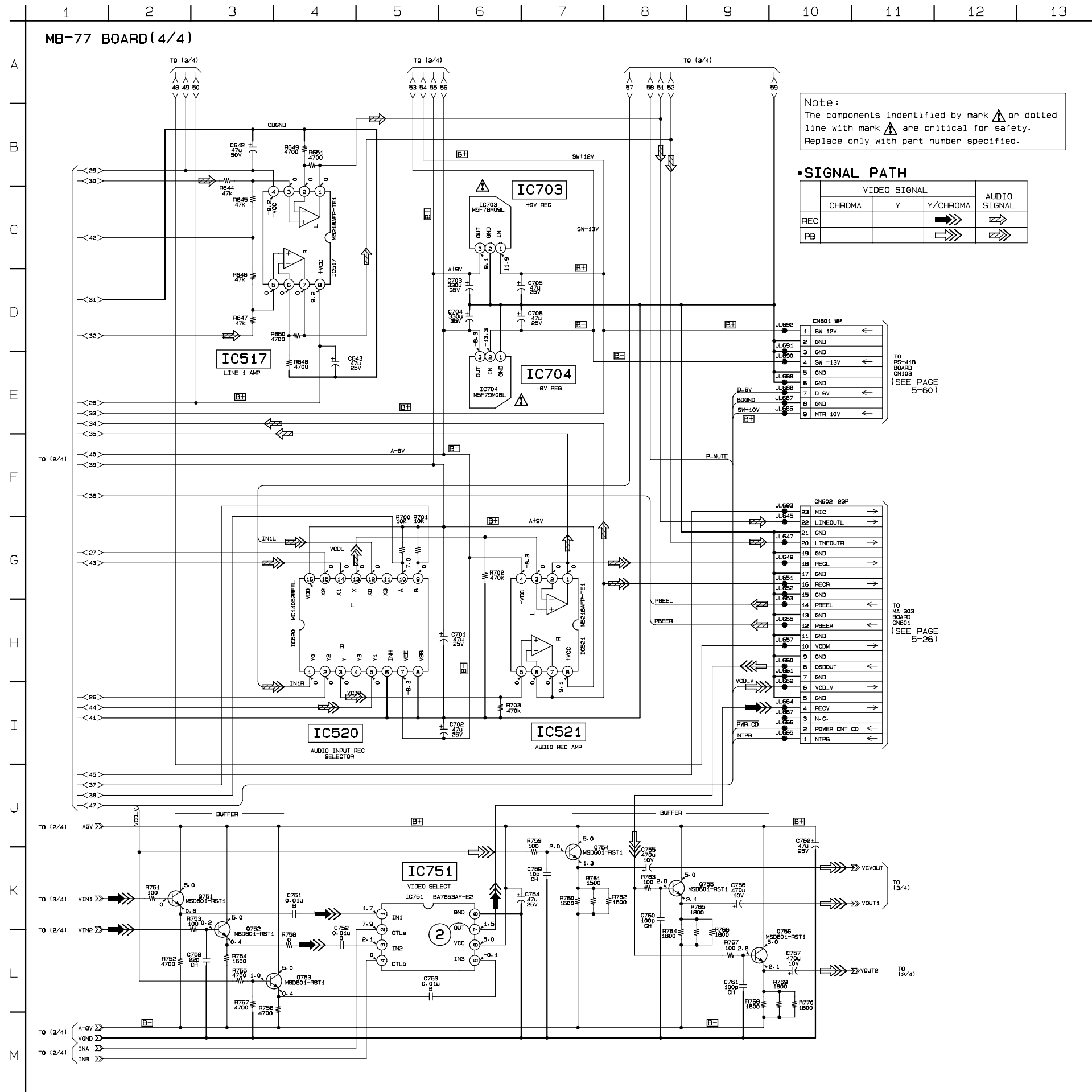
**• SIGNAL PATH**

	VIDEO SIGNAL			AUDIO SIGNAL
	CHROMA	Y	Y/CHROMA	
REC			➡➡➡	➡➡➡
PB			➡➡➡	➡➡➡

MB-77 (VIDEO SELECT) SCHEMATIC DIAGRAM (4/4)

• See page 5-31 for printed wiring board. • See page 5-63 for waveform.

— Ref. No. MB-77 Board; 5,000 Series —

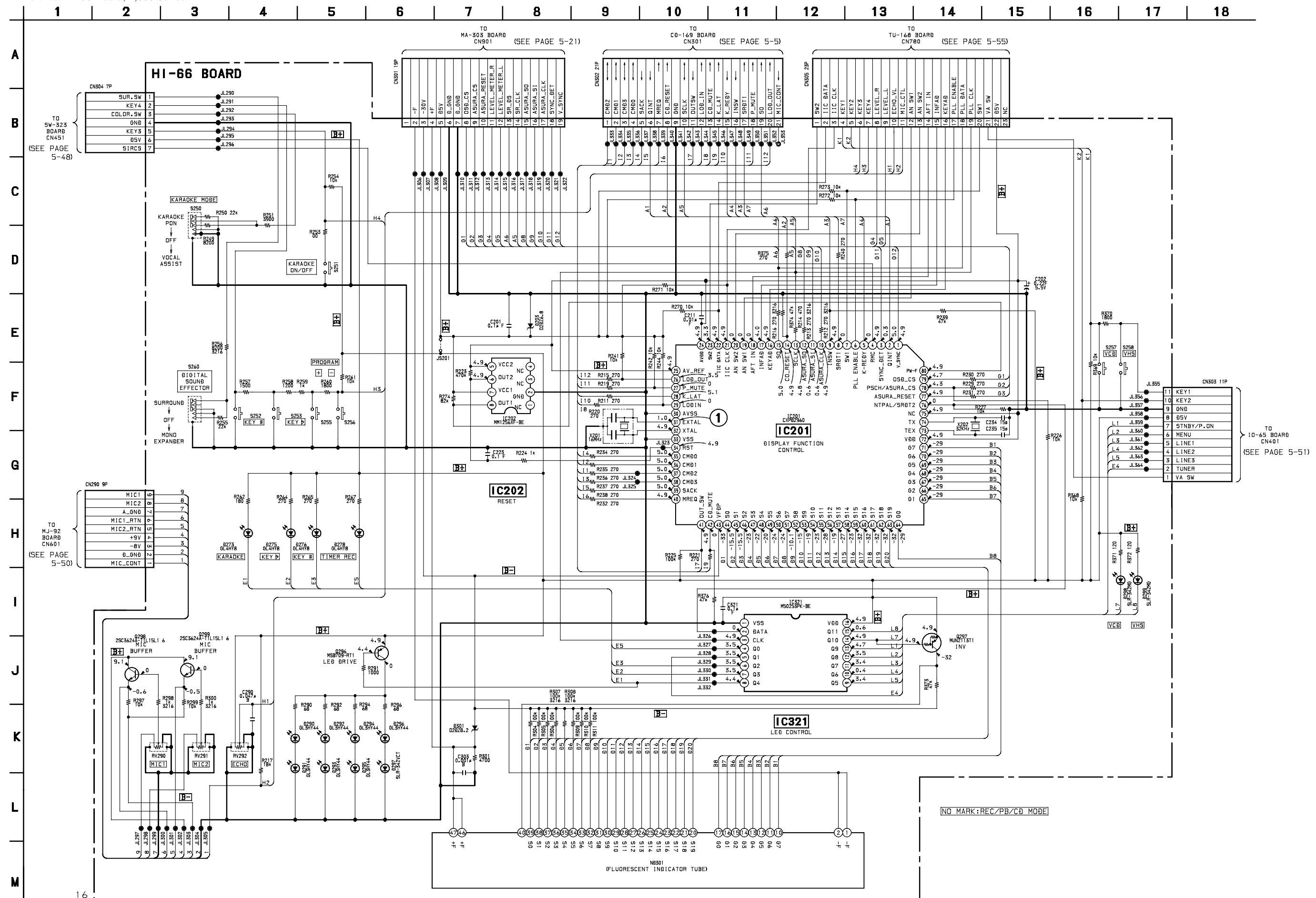




HI-66 (DISPLAY/FUNCTION CONTROL) SCHEMATIC DIAGRAM

• See page 5-63 for waveform.

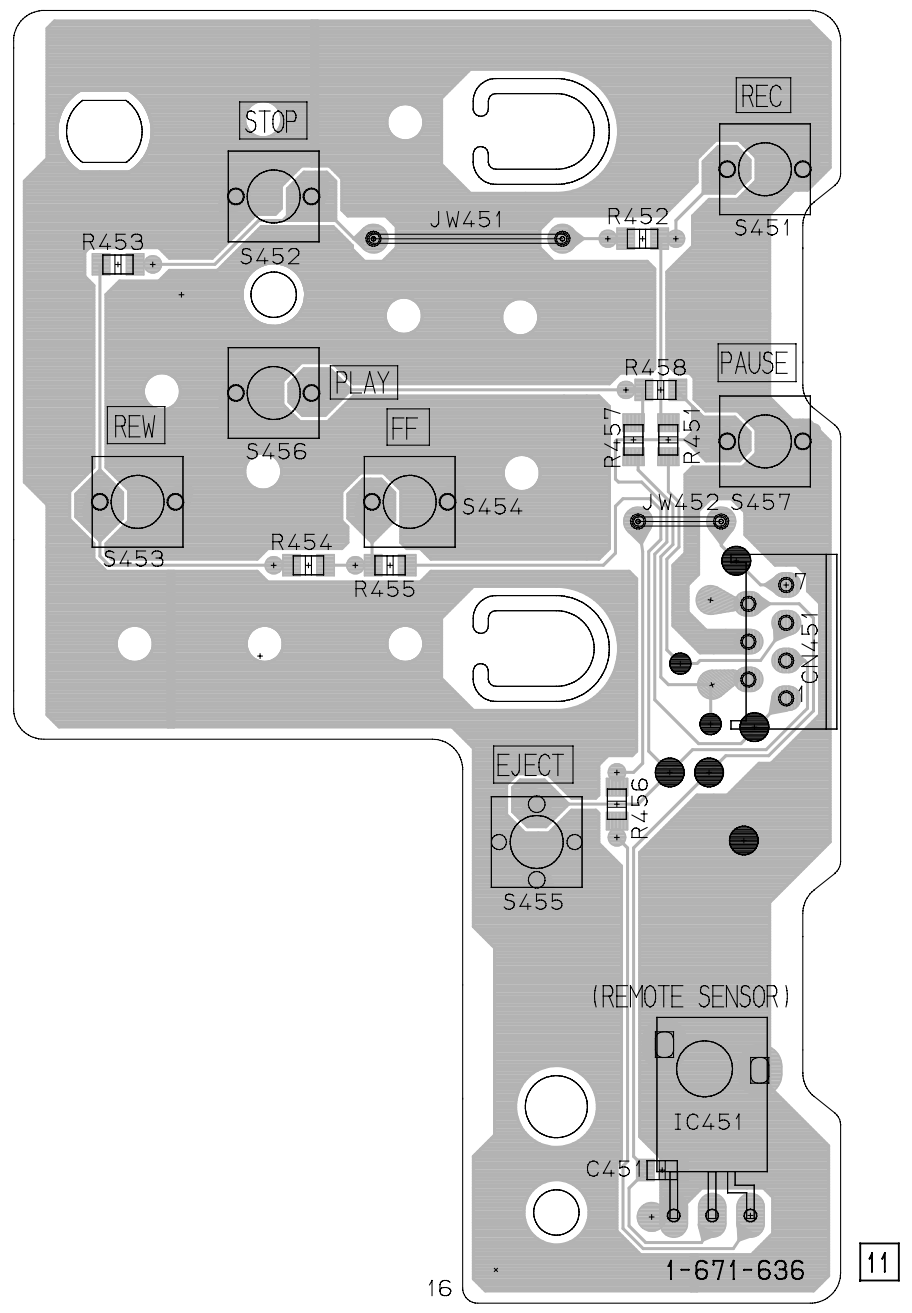
— Ref. No. HI-66 Board; 4,000 Series —



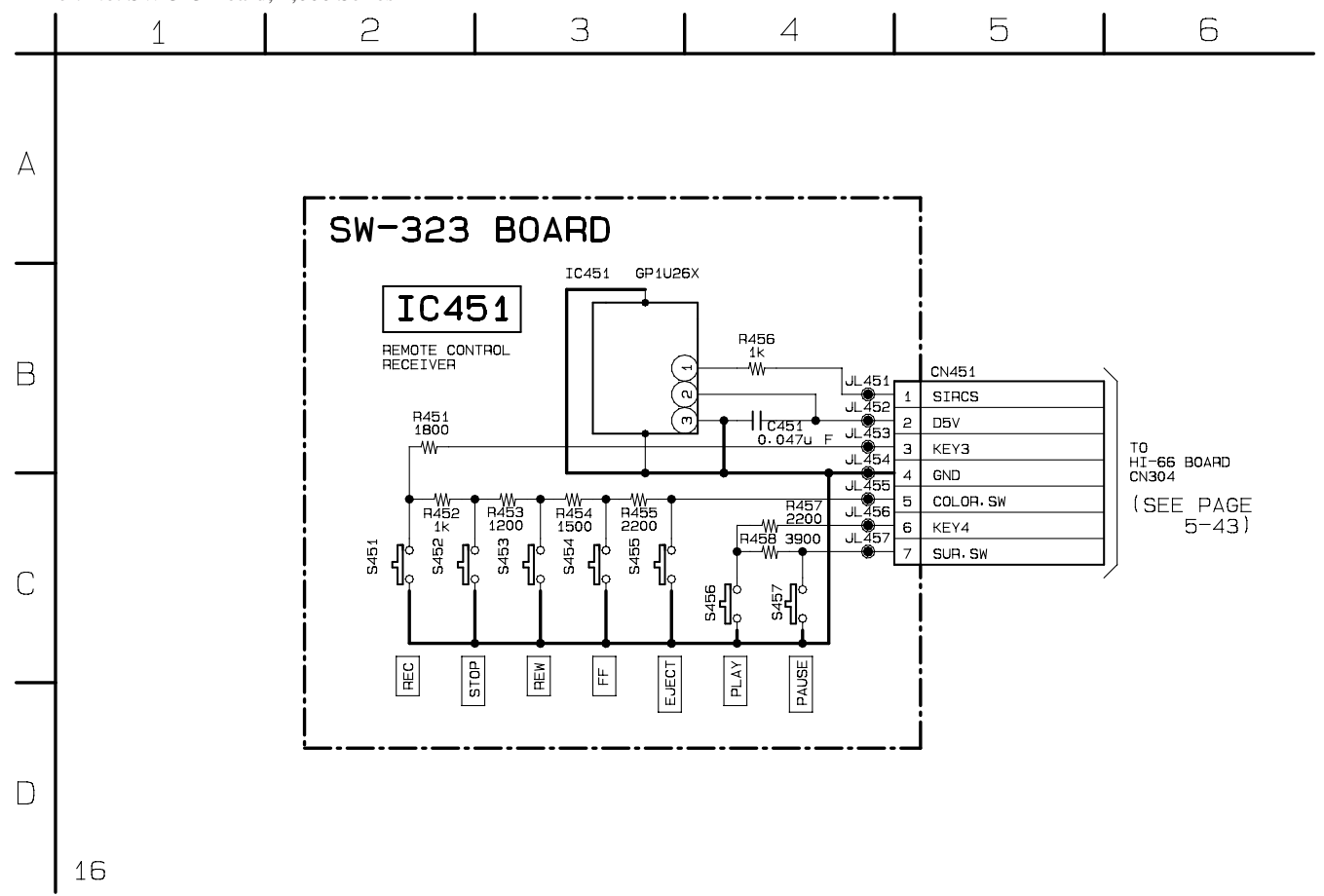
**SW-323 (FUNCTION SWITCH) PRINTED WIRING BOARD**  
 — Ref. No. SW-323 Board; 4,000 Series —

There are few cases that the part printed on this diagram isn't mounted in this model.

**SW-323 BOARD**



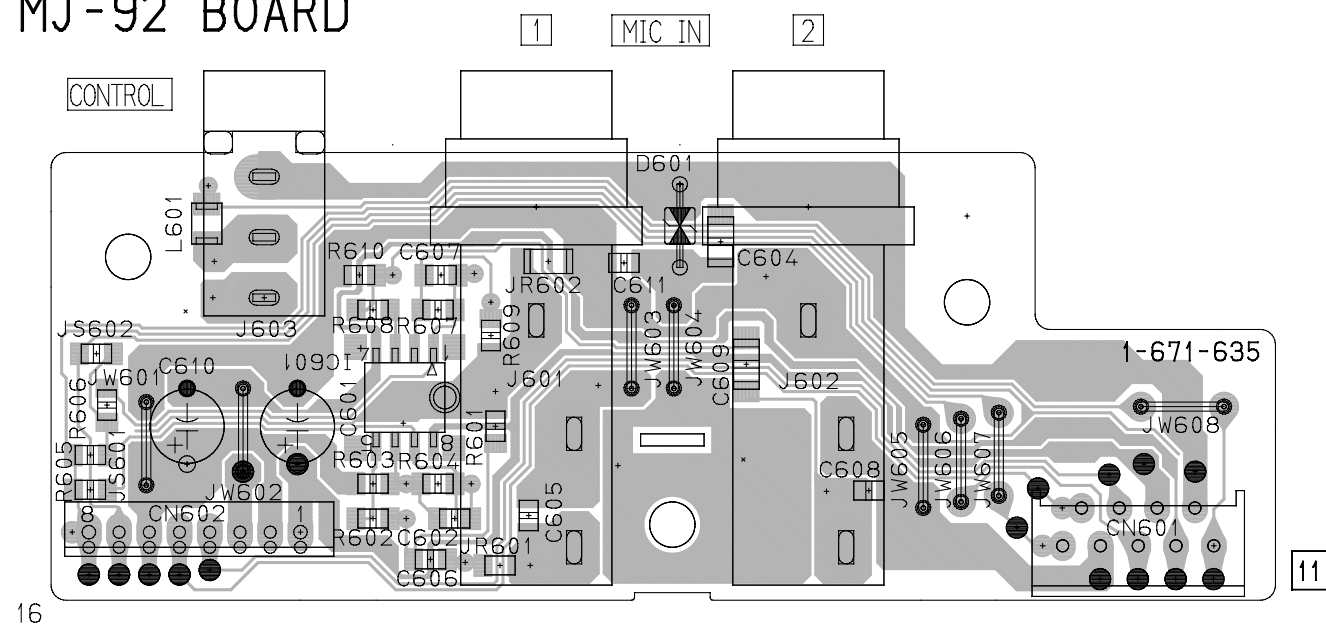
**SW-323 (FUNCTION SWITCH) SCHEMATIC DIAGRAM**  
 — Ref. No. SW-323 Board; 4,000 Series —



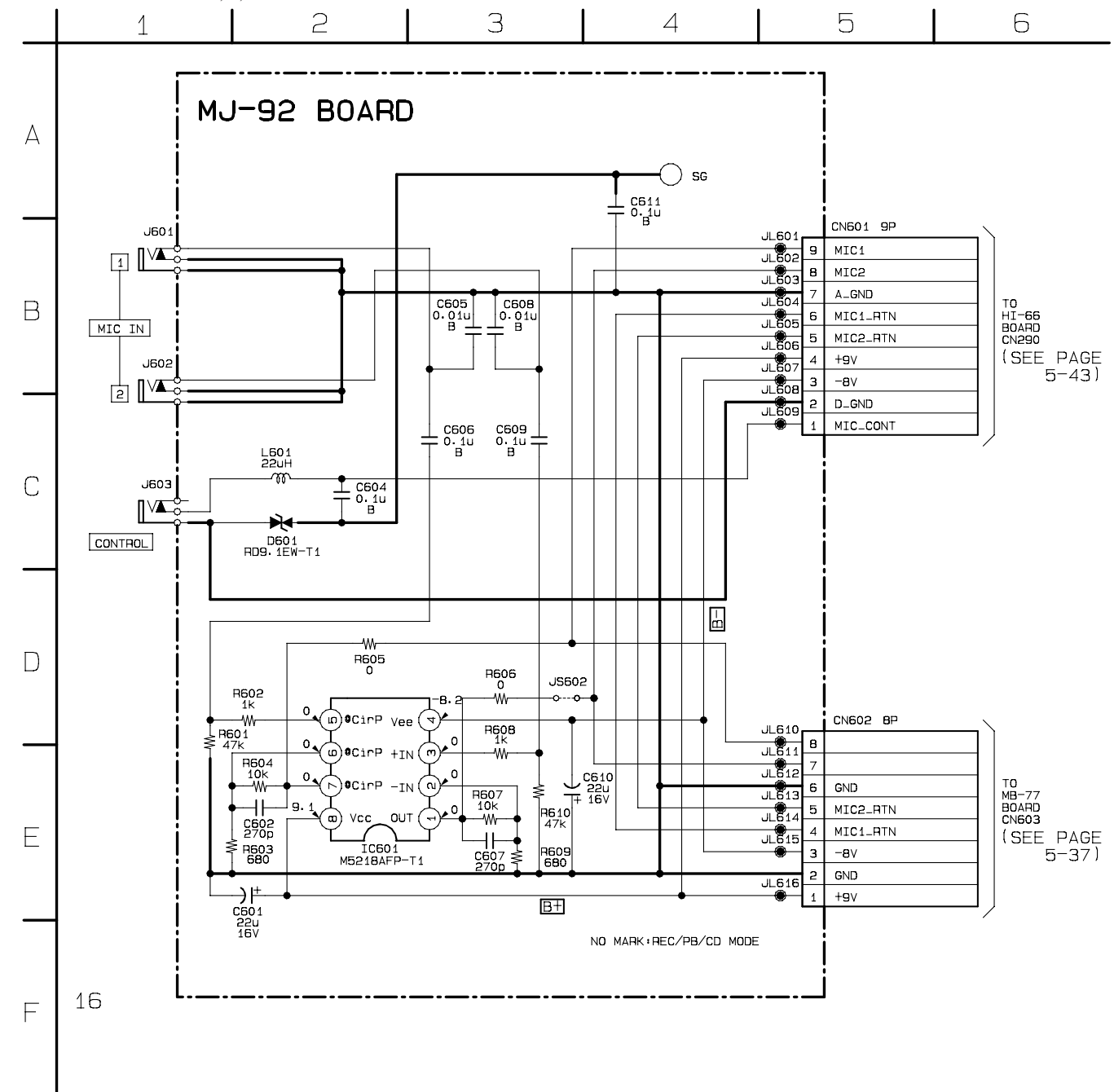
**MJ-92 (MIC AMP) PRINTED WIRING BOARD**  
 — Ref. No. MJ-92 Board; 4,000 Series —

There are few cases that the part printed on this diagram isn't mounted in this model.

**MJ-92 BOARD**

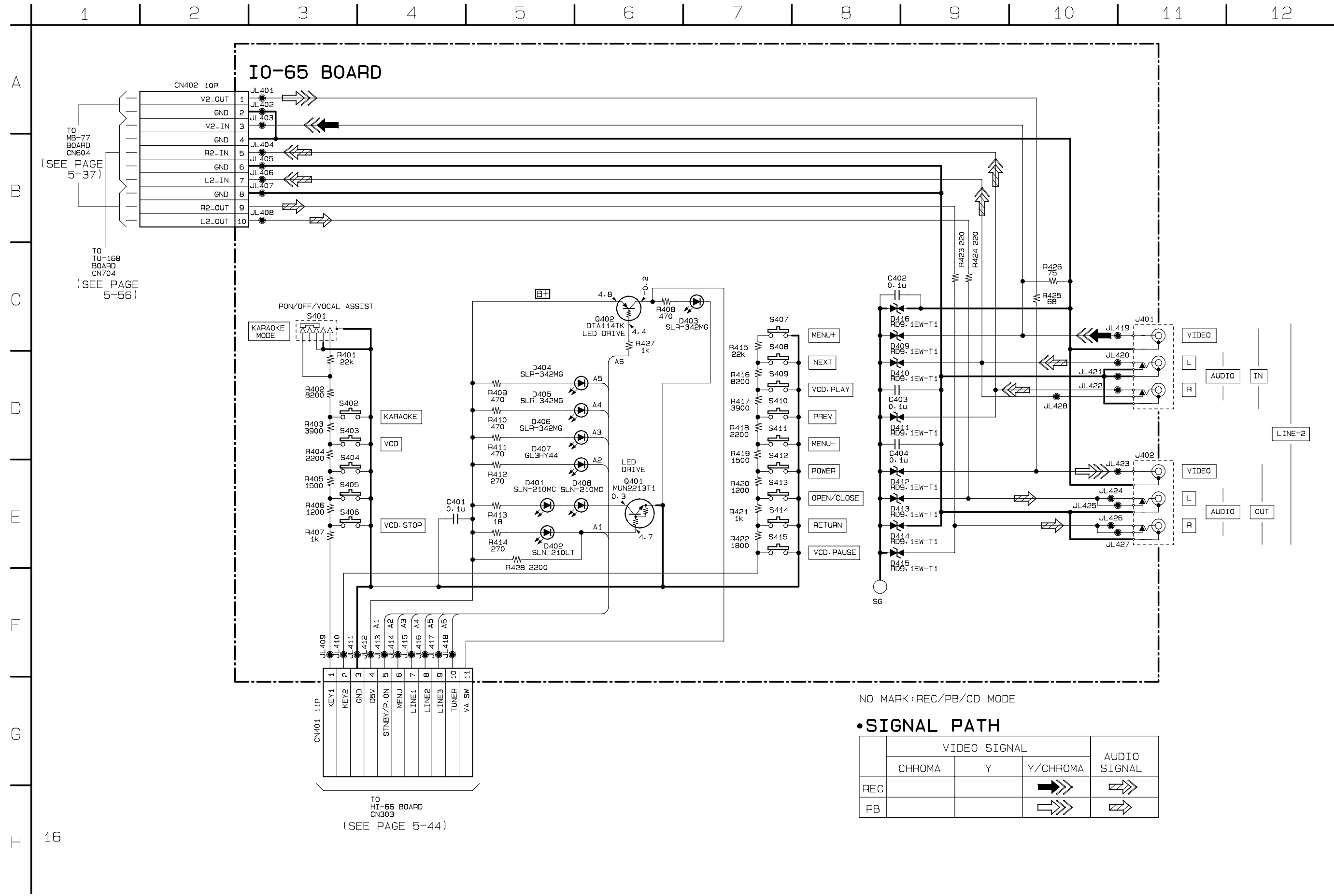


**MJ-92 (MIC AMP) SCHEMATIC DIAGRAM**  
 — Ref. No. MJ-92 Board; 4,000 Series —



IO-65 (FRONT JACK) SCHEMATIC DIAGRAM

— Ref. No. IO-65 Board; 4,000 Series —



NO MARK : REC/PB/CD MODE

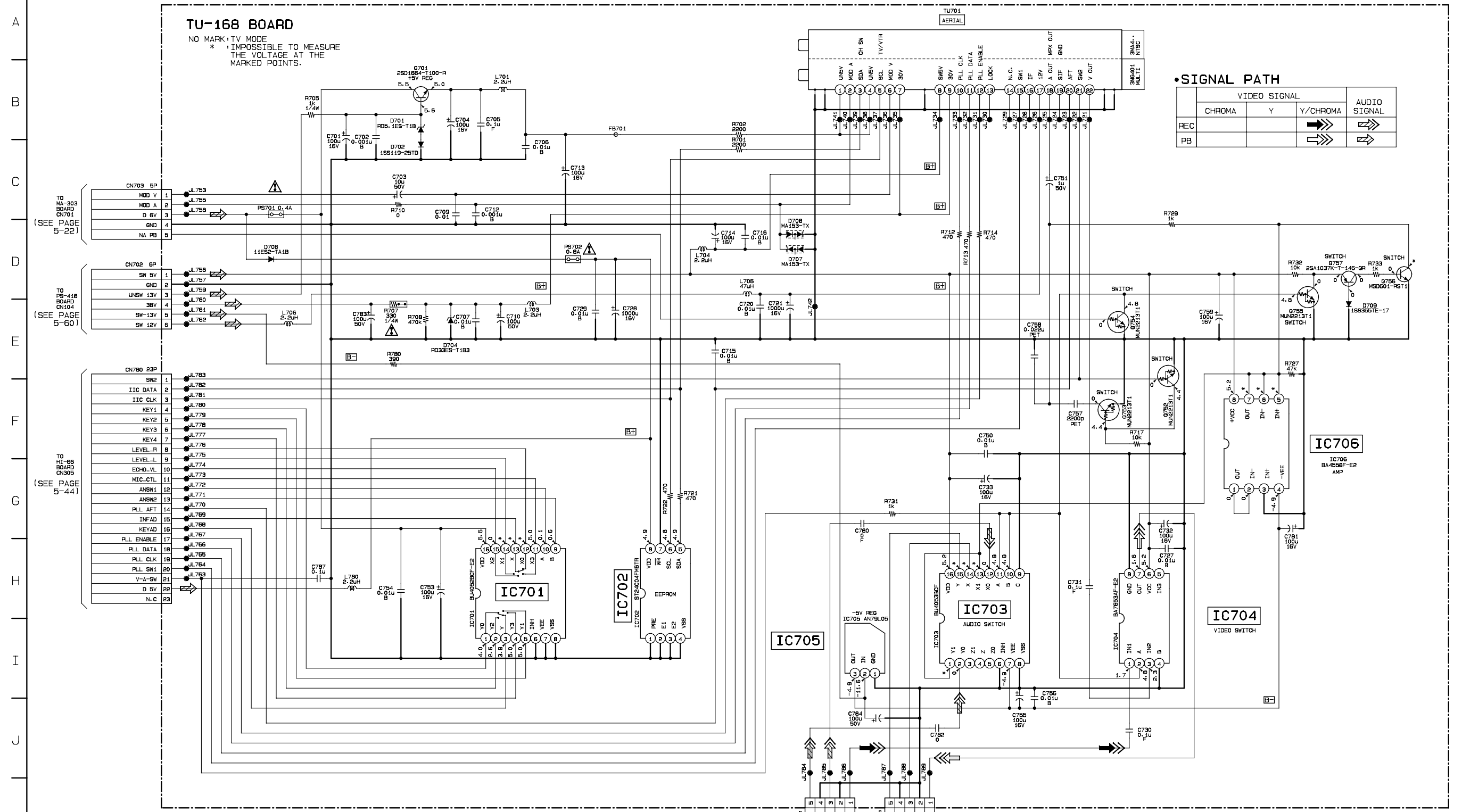
• SIGNAL PATH

	VIDEO SIGNAL			AUDIO SIGNAL
	CHROMA	Y	Y/CHROMA	
REC			➡➡➡	➡➡➡
PB			➡➡➡	➡➡➡

TU-168 (TUNER) SCHEMATIC DIAGRAM

— Ref. No. TU-168 Board; 7,000 Series —

1 2 3 4 5 6 7 8 9 10 11 12 13 14 15 16 17 18

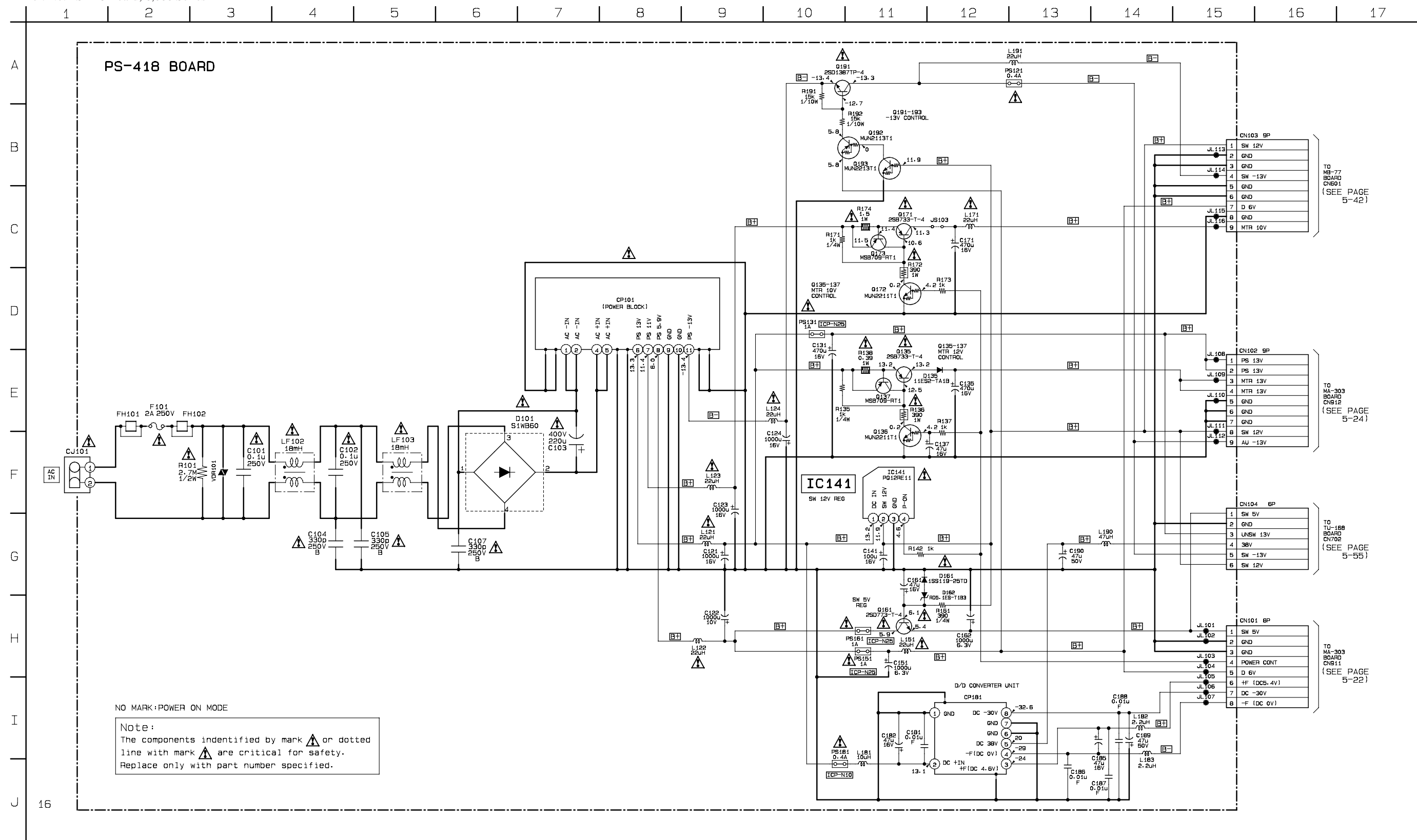


TO 10-65 BOARD CN402 (SEE PAGE 5-51) TO MB-77 BOARD CN604 (SEE PAGE 5-37)



PS-418 (POWER SUPPLY) SCHEMATIC DIAGRAM

— Ref. No. PS-418 Board; 6,000 Series —

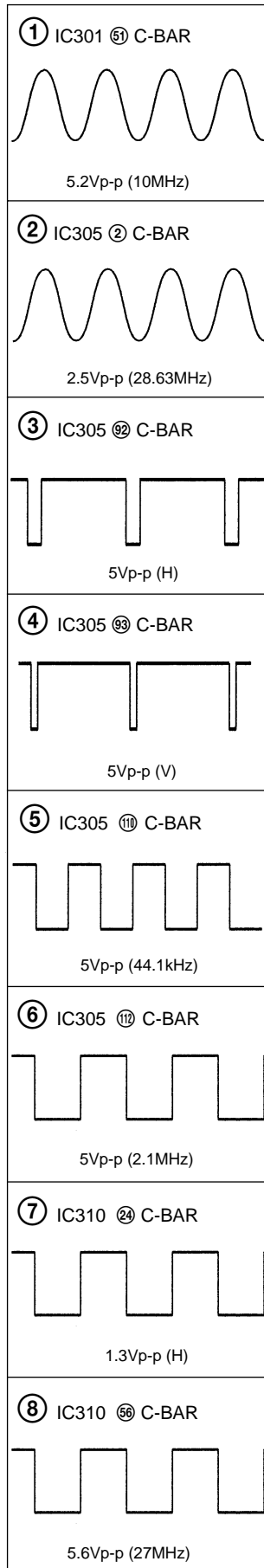


NO MARK:POWER ON MODE

Note:  
 The components identified by mark or dotted line with mark are critical for safety.  
 Replace only with part number specified.

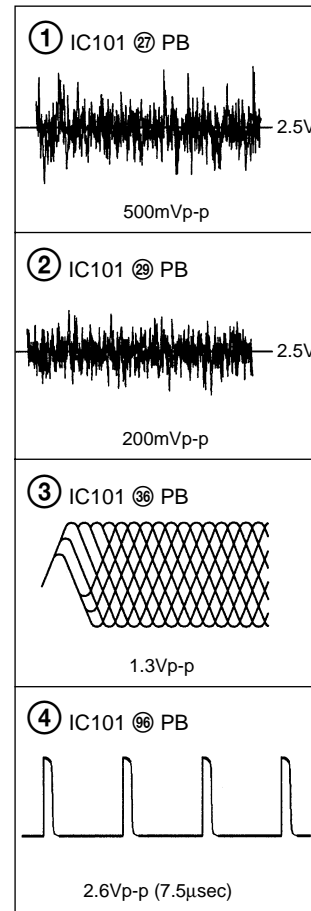
WAVEFORMS

CD-169 BOARD

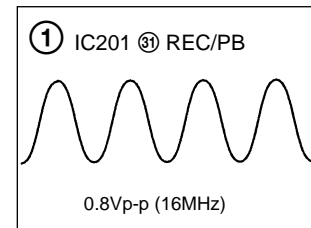


C-BAR : Color-bar mode

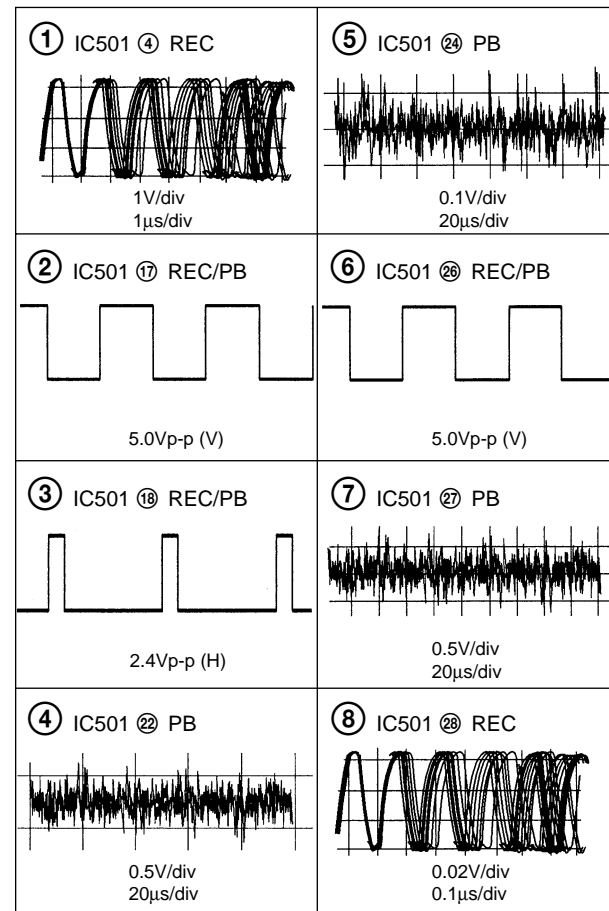
BD-21 BOARD



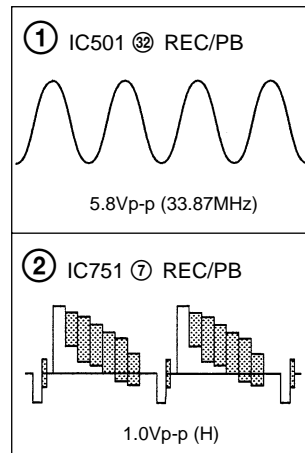
HI-66 BOARD



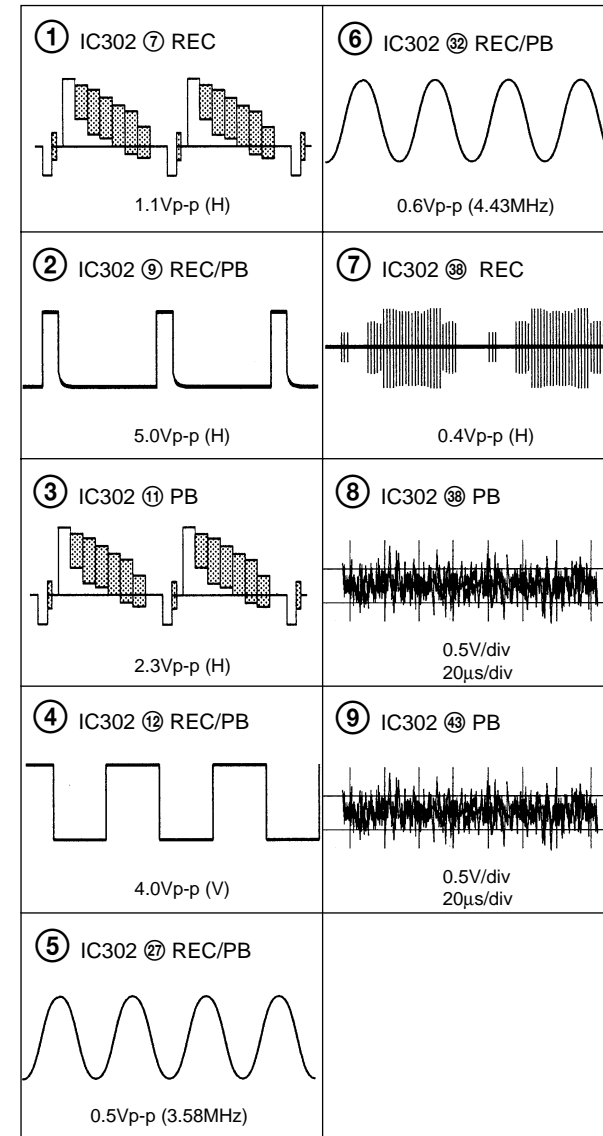
RP-233 BOARD



MB-77 BOARD



MA-303 BOARD (VIDEO)



MA-303 BOARD (SERVO/SYSTEM)

